

XE-RT SERIES

SELF-PROPELLED ROUGH TERRAIN SCISSOR LIFT

Mantall®



Standard Features

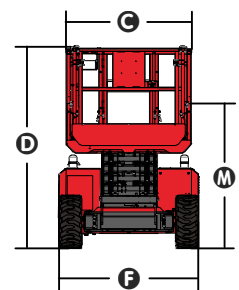
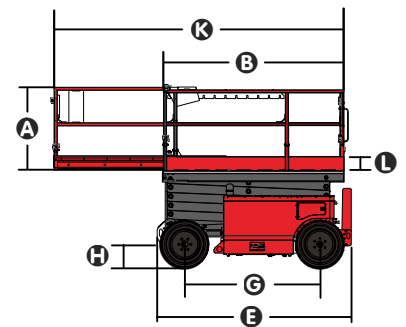
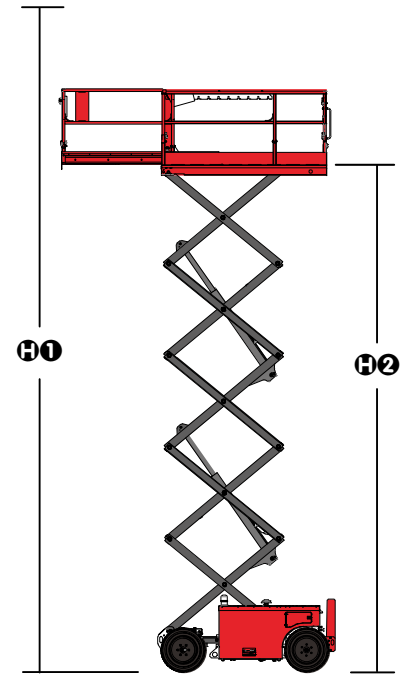
- Foldable guardrail
- Diagnosis system
- AC power to platform
- 2 wheel drive
- Tilt level sensor with an audible alarm
- Lowering alarm
- Horn
- Hour meter
- Emergency pump
- Proportional controls
- Solid rough tire
- Explosion-proof of the tubing
- Safety Brackets
- Dual flashing beacon

Options Features

- Automatic leveling hydraulic outriggers
- Air line to platform
- Lithium battery
- Non-mark rough tire
- Overload sensor

XE-RT SERIES

MODEL	XE100RT	XE120RT	XE140RT
Working height max H1	10 m	12 m	14 m
Platform height max H2	8 m	10 m	12 m
Length - Platform extension		1.5 m	
Lifting capacity	567 kg	454 kg	345 kg
Lift capacity on the extension		136 kg	
Dimension of the platform B x C x A	2.5 x 1.6 x 1.15 m		
Platform length - extended K	4 m		
Platform skirting board height L	0.15 m		
Overall length and width E x F	2.67 x 1.76 m		
Overall length with outriggers	3.18 m		
Height stowed D	2.4 m	2.52 m	2.65 m
Height - guardrails folded M	1.7 m	1.83 m	1.98 m
Wheelbase G	1.89 m		
Ground clearance H	0.17 m		
Turning radius - inside	1.58 m		
Turning radius - outside	3.89 m		
Rising time / lowering time	40 / 35 s	45 / 37 s	50 / 42 s
Drive speed - stowed	4.0 km/h		
Drive speed - raised	0.8 km/h		
Gradeability	35%	30%	
Tilt sensor - front to back	3°		
Tilt sensor - side to side	2°		
Outrigger level ability - front to back	9°		
Outrigger level ability - side to side	13°		
Control mode	Control proporcional		
Drive model	2-wheel drive		
Hydraulic tank capacity	68 L		
Tire size	675 x 280 mm		
Max. platform occupancy - indoor/outdoor	4/4 pers	4/2 pers	3/2 pers
Power source	48V 220AH		
Weight	3710 kg	3980 kg	4270 kg
Weight - with outriggers	4170 kg	4440 kg	4730 kg



» Electric rough terrain scissor lift has zero emission and no noise characteristics .It also has strong climbing function .

» Super-large bearing capacity of 560Kg, stable lifting, safe and reliable.

» Four-wheel drive has strong power and fast walking speed.

» With on-board diagnosis system, intelligent fault alarm system and other functions.